

LUMAX HP9 — High Power Ceiling Light (9W)



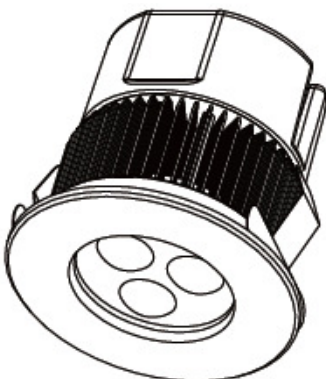
Introducing the New Generation LUMAX HP9 Ceiling Light powered by 3 Super Bright LED. With its exquisite design, it is able to provide a more High Class look. In addition, by only using 18 Watts, it is capable of producing brightness equivalent to 18 Watt CFL Ceiling Light. In a area which requires 9 sets of CFL Down-Light, you only require 4 sets of LUMAX HP9 to produce the brightness you need therefore further reducing energy consumption.

Material & Character

Import Polycarbonate or ABS prismatic LENS ,Aluminum alloy

Application:

Common Area, Living Room, emporium hall, station, workshop, supermarket, warehouse and so on.



Basic Information

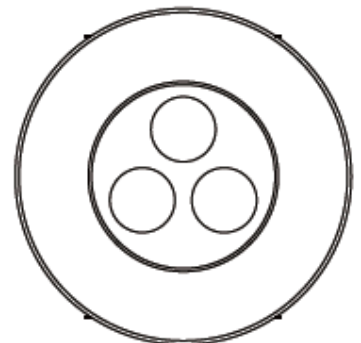
Model No: NT-R50N3

Weight : 335g

Dimension : Ø86 x75 mm

Application :

Indoor Commercial and Residential Architectural



Technical Information

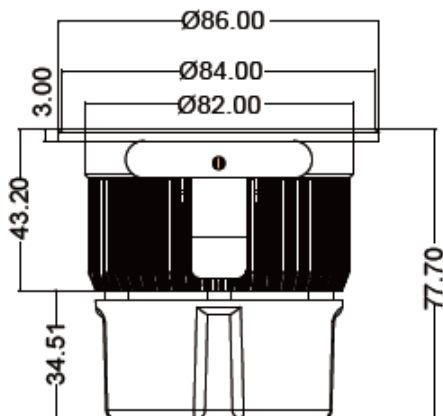
Cap Base :Down Light Module
 LED Constant Current : 700mA
 Watt (W): 3x3W
 Correlated Color Temperature (CCT): 4500K~8000K [White-LED]
 Correlated Color Temperature (CCT):3200K~3500K [Warm White LED]
 LED color: White, Warm White, R,G,B, Amber.....
 LENS : Ø50mm x 3- Spot LENS 413cd Lux/ 1m (345 lm)
 Housing Color: Black, White, Dark Silver, Champagne.....
 LENS Material :P MMA
 Tc : 85°C max.
 Operational Temperature : 50°C max.

LED Driver 700mA Constant Current

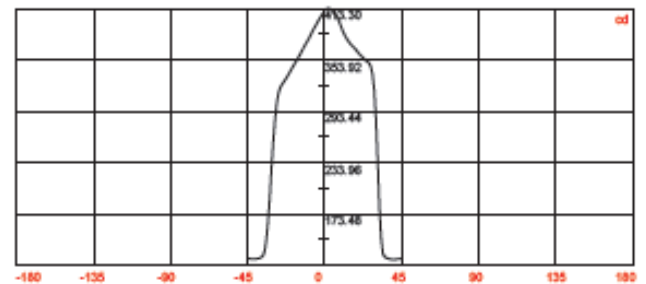
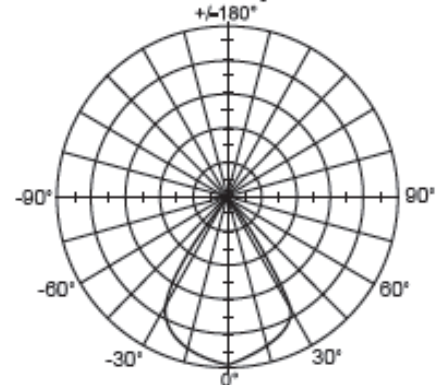
AC to DC , Constant Current Power Supply 12Watts(max)

Specifications :

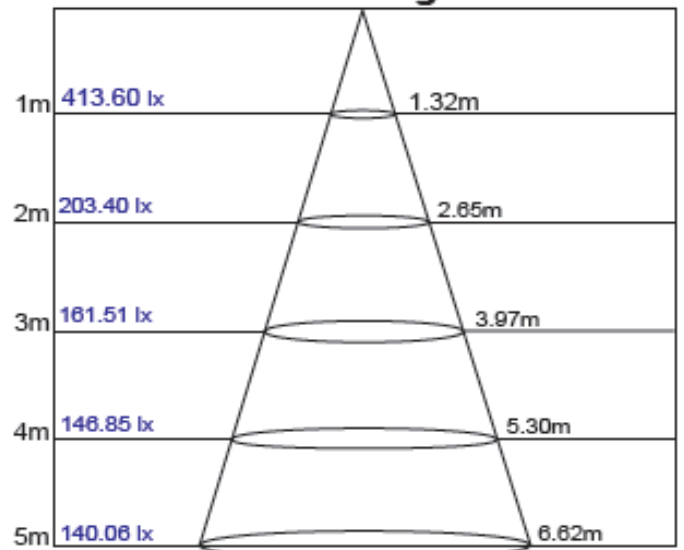
H-TYPE: Input Range : 90~263Vac, 47Hz~63Hz
 Input Current: 0.4A MAX,AT 115Vac & 230Vac, FULL LOAD
 DC Output Range : MIN-8Vdc MAX—12Vdc (700mA)
 POWER FACTOR: 0.98
 Efficiency : 85% Typical at maximum load
 Output Current Regulation : ±5%
 Protection : SCP - Auto Recovery
 Operation Temp. : -20°C ~ +70°C
 Storage Temp. : -40°C ~ +85°C
 EMI Standards: 47CFR, Part 2, Part 15 and Cispr PUB,22 Class B



Relative Intensity Distribution



Beam Angle



For more information on our products, please contact us or visit our website at www.nottpl.com

NOTT PTE LTD

No. 6, Sungei Kadut Street 4 Singapore 729036
 Main : +65 6368 3616
 Fax : +65 6368 3611
 Email : sales@nottpl.com